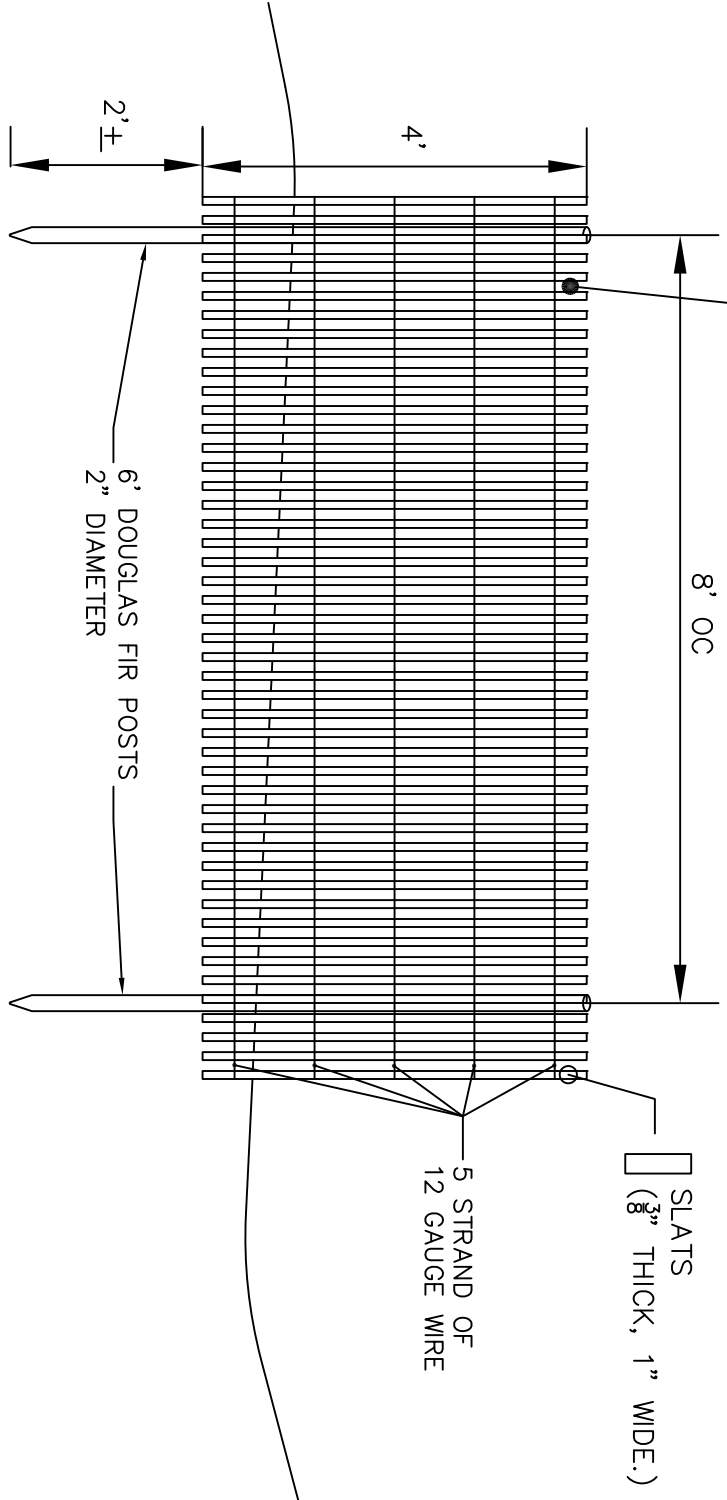
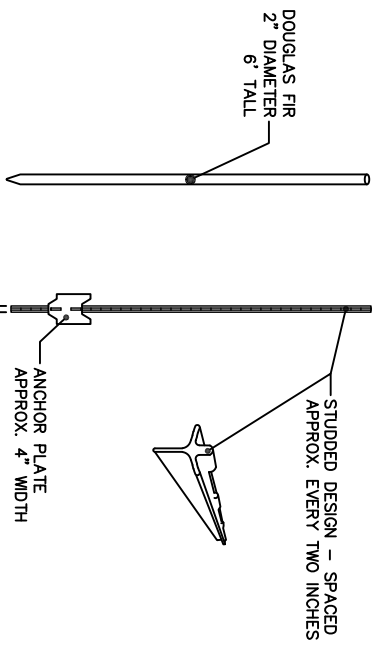


SLATS SHALL BE SPACED ONE AND THREE EIGHTHS (1 $\frac{3}{8}$) INCHES WIDE AND FORTY-EIGHT (48") INCHES HIGH.



1 SAND FENCE DETAIL
NO SCALE



2 POST DETAIL
NO SCALE

GENERAL NOTES:

1. SAND FENCE TO BE FASTENED TO THE POST WITH THE MANUFACTURER CLIPS. SEE PICTURES BELOW
2. ALTERNATIVE FOR POST: 6" HEAVY DUTY STEEL STUDDED POSTS
3. STUDDED DESIGN - SPACED APPROX. EVERY TWO INCHES, THE STUDS HELP PREVENT T-POST CLIPS AND INSULATORS FROM SLIPPING.
4. ANCHOR PLATE - SECURELY WELDED TO PREVENT POST FROM ROTATING OR SHIFTING AFTER BEING INSTALLED INTO THE GROUND.