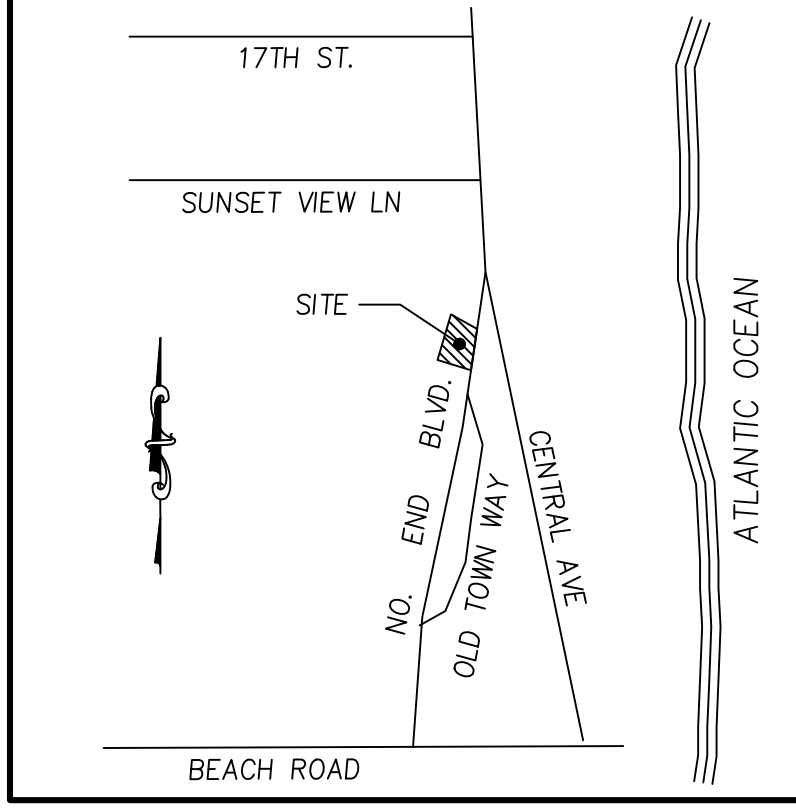


ZONING TABLE - B/C (BEACH COMMERCIAL)			
	REQUIRED	EXISTING 77 N.E. BLVD.	EXISTING 79 N.E. BLVD.
LOT AREA:	---	3,846 S.F.	4,320 S.F.
LOT FRONTAGE:	---	45.00'	45.00'
FRONT SETBACK:	5 FT. (MIN.)	* 4.3'	11.0'
SIDE SETBACK:	**5 FT./10 FT. (MIN.)	* 0.1'	* 5.6'
REAR SETBACK:	**5 FT./10 FT. (MIN.)	14.2'	39.6'
LOT COVERAGE:	90% (MAX.)	35.5%	16.8%
BLDG HEIGHT:	35 FT (MAX.)	< 30'	< 30'

* REPRESENTS AN EXISTING NON-CONFORMITY
 ** SIDE AND REAR YARD SETBACK REQUIREMENT IS 10 FT. HOWEVER THIS MAY BE REDUCED TO 5 FT. WHEN UTILIZING FIRE-RESISTANT STRUCTURES.
 *** FOR ADDITIONAL INFORMATION ON PROPOSED STRUCTURE SEE ARCHITECTURAL PLANS SUBMITTED WITH BUILDING APPLICATION.

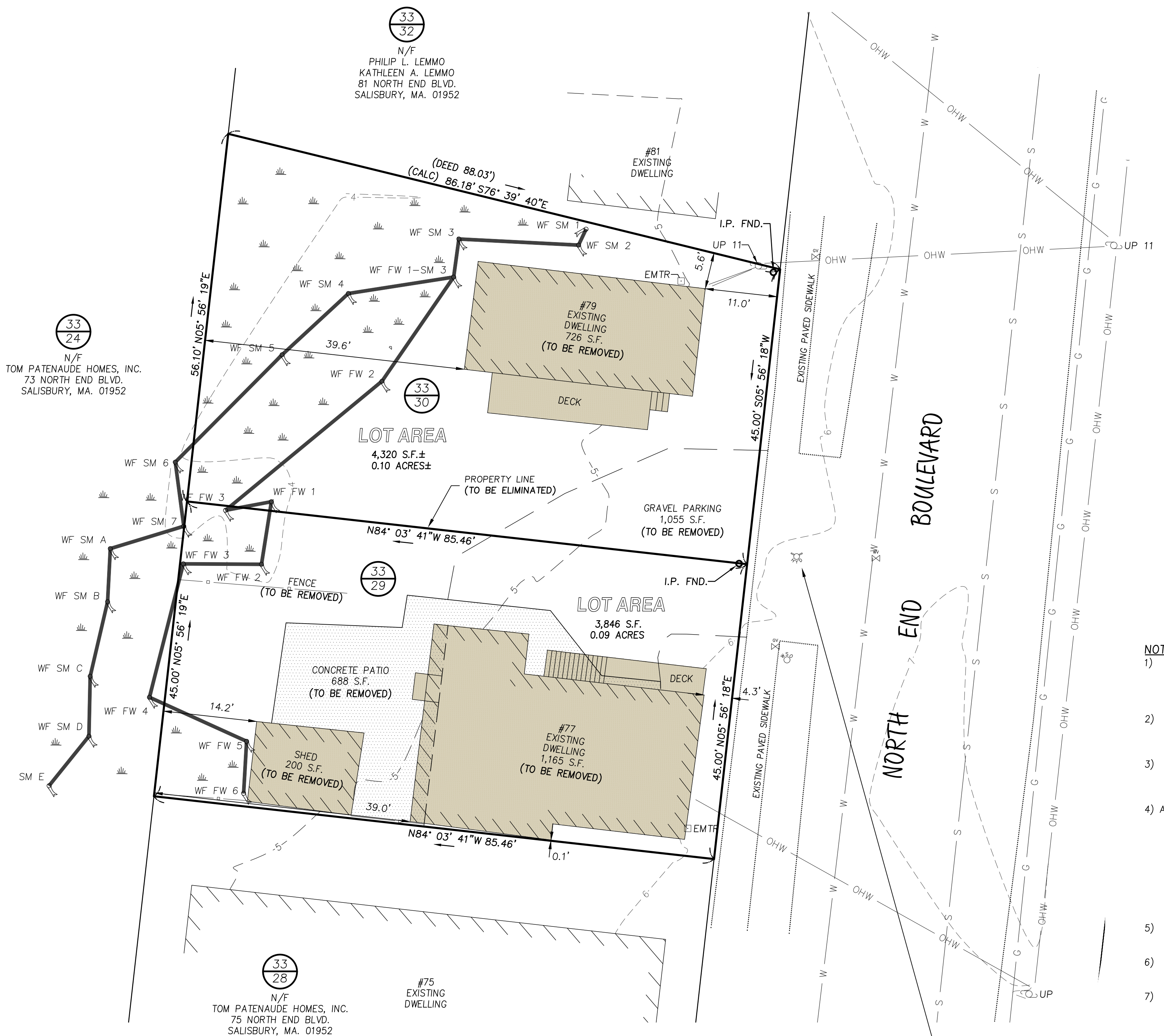
WETLAND DELINEATED BY:
 WEST ENVIRONMENTAL, INC.
 48 STEVENS HILL ROAD
 NOTTINGHAM, NH. 03290
 (603) 734-4298
 (DELINEATED IN: JULY 2023)

RECORD OWNERSHIP
 #77 NO. END BLVD.
 NANCY LAROSA
 (DEED-BOOK-34117-PAGE-595)
 #79 NO. END BLVD.
 79 NORTH END BOULEVARD, LLC
 (DEED BOOK 39041 PAGE 192)
PLAN REFERENCE
 ESSEX COUNTY REGISTRY OF DEEDS
 PLAN BOOK 471 PLAN 86
 PLAN BOOK 470 PLAN 77
 PLAN 454 OF 1975
 PLAN BOOK 86 PLAN 87

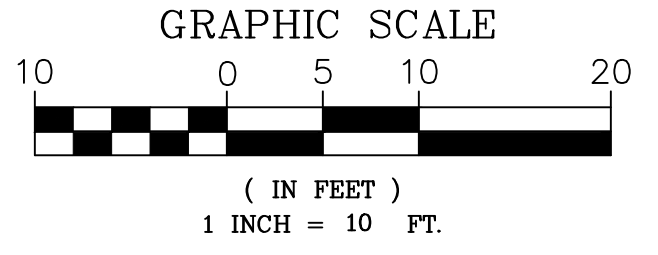


EXISTING CONDITIONS IMPACT TABLE

CONCRETE PATIO REMOVAL:	688 S.F.
RESIDENTIAL STRUCTURE & FOUNDATION REMOVAL:	2,091 S.F.
GRAVEL DRIVEWAY REMOVAL:	+ 1,055 S.F.
TOTAL IMPACT:	3,834 S.F.



- NOTES:**
- PLEASE BE ADVISED THAT THESE PLANS ARE CONSIDERED A "PROGRESS PRINT" UNLESS APPROVED BY THE LOCAL CONSERVATION COMMISSION. THE CONTRACTOR SHALL OBTAIN A COPY OF THE APPROVED ORDER OF CONDITIONS AND THE APPROVED CORRESPONDING PLAN SET TO USE DURING CONSTRUCTION, A COPY OF WHICH SHALL BE KEPT ONSITE DURING ALL APPROVED CONSTRUCTION ACTIVITIES AND AVAILABLE FOR INSPECTION UPON REQUEST.
 - LANDOWNER SHALL BE RESPONSIBLE FOR CONTACTING THE LOCAL CONSERVATION COMMISSION TO DETERMINE THE LENGTH OF TIME THE APPROVAL IS VALID. EXTENSIONS TO THE APPROVAL EXPIRATION DATE MAY BE GRANTED BY THE COMMISSION, AT THEIR DISCRETION, IF REQUESTED IN WRITING PRIOR TO THE DATE OF EXPIRATION.
 - THIS PLAN SHOWS ALL KNOWN UNRECORDED OR UNWRITTEN EASEMENTS WHICH EXIST ON THE SUBJECT PARCEL. A REASONABLE AND DILIGENT ATTEMPT HAS BEEN MADE TO OBSERVE ANY APPARENT, VISIBLE USES OF THE LAND; HOWEVER, THIS DOES NOT CONSTITUTE A GUARANTEE THAT ADDITIONAL EASEMENTS DO NOT EXIST.
 - AN ON GROUND SURVEY AND/OR EVALUATION HAS DETERMINED THAT THE SUBJECT PARCEL IS LOCATED WITHIN OR ADJACENT TO THE FOLLOWING MAPPED OR UNMAPPED RESOURCE AREAS:
 A) ON OR WITHIN: COASTAL DUNES (310 CMR 10.28)
 B) ON OR WITHIN: BARRIER BEACH (310 CMR 10.29)
 C) ADJACENT TO: SALT MARSHES (310 CMR 10.32)
 D) ADJACENT TO: ESTIMATED HABITATS OF RARE WILDLIFE (310 CMR 10.37)
 E) ON OR WITHIN: LAND SUBJECT TO COASTAL STORM FLOWAGE**
- **SPECIAL FLOOD HAZARD ZONE AE (ELEV. 9) AS SHOWN ON FEMA MAP 25009C0127F, DATED JULY 3, 2012.
- THE CERTIFICATIONS SHOWN HEREON ARE NOT INTENDED AS CERTIFICATION TO TITLE OR OWNERSHIP OF PROPERTY SHOWN. OWNERS OF ADJOINING PROPERTIES ARE ACCORDING TO CURRENT TOWN ASSESSOR RECORDS.
 - ALL WORK SHALL COMPLY WITH THE COMMONWEALTH OF MASSACHUSETTS DEPARTMENT OF ENVIRONMENTAL PROTECTION REGULATIONS AND ALL LOCAL REGULATIONS.
 - PROPOSED CONSTRUCTION ACTIVITIES ARE LOCATED WITHIN AN AREA SUBJECT TO THE WETLANDS PROTECTION ACT. IT IS STRONGLY RECOMMENDED BY THE DESIGN ENGINEER THAT NO DEMOLITION OR BUILDING PERMITS BE ISSUED PRIOR TO THE REVIEW AND APPROVAL OF ALL APPROPRIATE ENVIRONMENTAL PERMITTING AUTHORITIES.
 - ANY AND ALL CONSTRUCTION OR DEMOLITION DEBRIS RESULTING FROM APPROVED CONSTRUCTION ACTIVITIES SHALL BE REMOVED AND PROPERLY DISPOSED OF IN ACCORDANCE WITH ALL FEDERAL, STATE, AND LOCAL REQUIREMENTS.
 - ANY EROSION CONTROL OR CONSTRUCTION CONTROL MEASURES APPROVED, IF REQUIRED, SHALL BE INSTALLED PRIOR TO THE START OF ANY DEMOLITION OR CONSTRUCTION ACTIVITIES. THE SITE'S GENERAL CONTRACTOR AND/OR LANDOWNER IS RESPONSIBLE FOR INSPECTING WEEKLY, OR MORE FREQUENTLY PER ORDER OF CONDITIONS, AND FOR MAINTAINING OR REPLACING ANY DAMAGED SECTIONS IMMEDIATELY. COMPLETE REMOVAL IS ONLY AUTHORIZED AFTER THE FOLLOWING: A) UPON COMPLETION OF ALL APPROVED CONSTRUCTION ACTIVITIES; B) COMPLETE SITE STABILIZATION; C) AUTHORIZATION OF THE SALISBURY CONSERVATION COMMISSION OR ITS AUTHORIZED AGENT.



NO.	DATE	DESCRIPTION	BY



MEI MILLENNIUM ENGINEERING, INC.
 ENGINEERING AND LAND SURVEYING
 62 ELM ST. SALISBURY, MA 01952 (978) 463-8980
 13 HAMPTON RD., P.O. BOX 745 EXETER, NH 03833 (603) 778-0528

PLAN TO ACCOMPANY A NOTICE OF INTENT
 IN
SALISBURY, MA

PREPARED FOR
BERGLUND HOMES
 10 MORRISON ROD
 BURLINGTON, MA. 01803
 PHONE: (978) 580-1606
 EMAIL: Bergent@Comcast.net

SHOWING
EXISTING SITE CONDITIONS
 77 & 79 NORTH END BOULEVARD
 (MAP 33, LOTS 29 & 30)
 SCALE: AS NOTED CALC. BY: M.A.S. PROJECT: M234260
 DATE: DEC. 7, 2023 CHKD. BY: E.W.B. SHEET: 1 OF 3

ZONE - B/C (BEACH COMMERCIAL)		
	REQUIRED	PROPOSED
LOT AREA:	---	2,716 S.F.
LOT FRONTAGE:	---	30.00'
FRONT SETBACK:	5 FT. (MIN.)	5.5'
SIDE SETBACK:	**5 FT./10 FT. (MIN.)	5.5'
REAR SETBACK:	**5 FT./10 FT. (MIN.)	18.1'
LOT COVERAGE:	90% (MAX.)	44.0%
BLDG HEIGHT:	35 FT (MAX.)	*** 34.5'

** SIDE AND REAR YARD SETBACK REQUIREMENT IS 10 FT. HOWEVER THIS MAY BE REDUCED TO 5 FT. WHEN UTILIZING FIRE-RESISTANT STRUCTURES.

*** FOR ADDITIONAL INFORMATION ON PROPOSED STRUCTURE SEE ARCHITECTURAL PLANS SUBMITTED WITH BUILDING APPLICATION.

WETLAND DELINEATED BY:
WEST ENVIRONMENTAL, INC.
48 STEVENS HILL ROAD
NOTTINGHAM, NH. 03290
(603) 734-4298
(DELINEATED IN: JULY 2023)

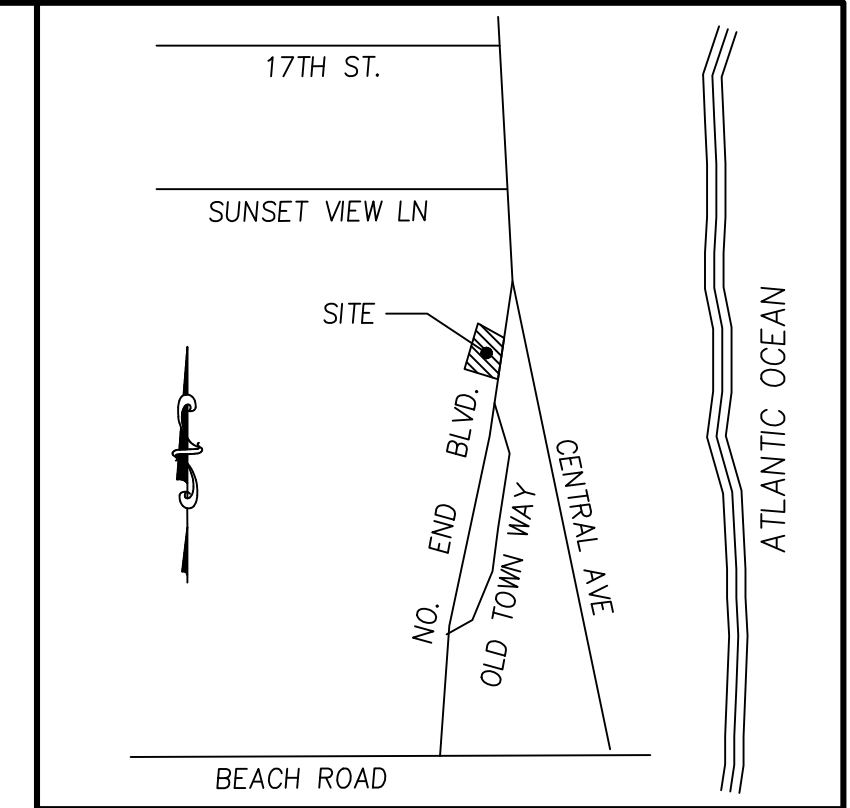
RECORD OWNERSHIP

#77 NO. END BLVD.
NANCY LAROSA
(DEED BOOK 34117 PAGE 595)

#79 NO. END BLVD.
79 NORTH END BOULEVARD, LLC
(DEED BOOK 39041 PAGE 192)

PLAN REFERENCE

ESSEX COUNTY REGISTRY OF DEEDS
PLAN BOOK 471 PLAN 86
PLAN BOOK 470 PLAN 77
PLAN 454 OF 1975
PLAN BOOK 86 PLAN 87



LOCUS MAP
N.T.S.

PROPOSED IMPROVEMENTS IMPACT TABLE

PROPOSED RESIDENTIAL STRUCTURE WITH GRAVEL BELOW:	1,195 S.F.
PROPOSED GRAVEL DRIVEWAY::	+ 70 S.F.
TOTAL IMPACT:	1,265 S.F.

PROPOSED PLANTINGS TABLE

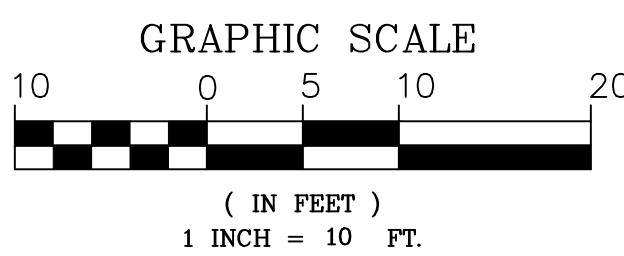
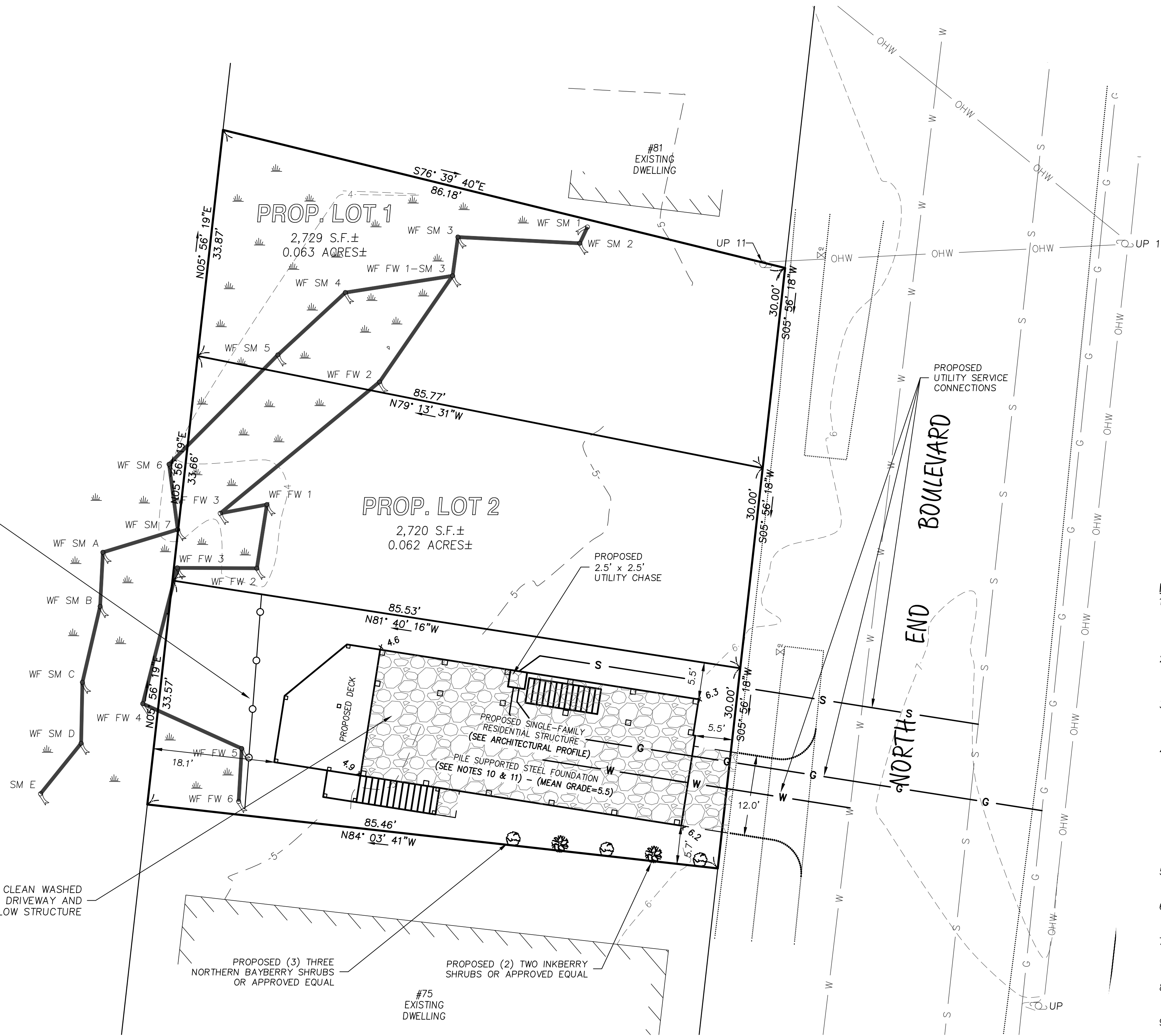
NORTHERN BAYBERRY SHRUBS:	3
INKBERRY SHRUBS:	2

PROPOSED 12" SILT SOCK WITH ENTRENCHED SILT FENCE BACKING TO BE REPLACED WITH A PROPOSED POST & RAIL FENCE WITH CONSERVATION COMMISSION APPROVED SIGNAGE UPON COMPLETION OF ALL MAJOR CONSTRUCTION ACTIVITIES

PROPOSED CLEAN WASHED STONE IN DRIVEWAY AND BELOW STRUCTURE

PROPOSED (3) THREE NORTHERN BAYBERRY SHRUBS OR APPROVED EQUAL

PROPOSED (2) TWO INKBERRY SHRUBS OR APPROVED EQUAL



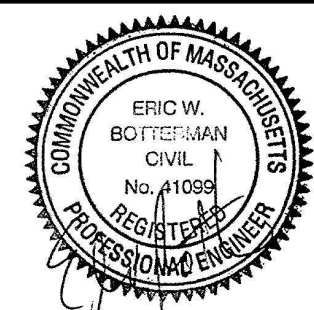
NOTES:

- PLEASE BE ADVISED THAT THESE PLANS ARE CONSIDERED A "PROGRESS PRINT" UNLESS APPROVED BY THE LOCAL CONSERVATION COMMISSION. THE CONTRACTOR SHALL OBTAIN A COPY OF THE APPROVED ORDER OF CONDITIONS AND THE APPROVED CORRESPONDING PLAN SET TO USE DURING CONSTRUCTION, A COPY OF WHICH SHALL BE KEPT ONSITE DURING ALL APPROVED CONSTRUCTION ACTIVITIES AND AVAILABLE FOR INSPECTION UPON REQUEST.
- LANDOWNER SHALL BE RESPONSIBLE FOR CONTACTING THE LOCAL CONSERVATION COMMISSION TO DETERMINE THE LENGTH OF TIME THE APPROVAL IS VALID. EXTENSIONS TO THE APPROVAL EXPIRATION DATE MAY BE GRANTED BY THE COMMISSION, AT THEIR DISCRETION, IF REQUESTED IN WRITING PRIOR TO THE DATE OF EXPIRATION.
- THIS PLAN SHOWS ALL KNOWN UNRECORDED OR UNWRITTEN EASEMENTS WHICH EXIST ON THE SUBJECT PARCEL. A REASONABLE AND DILIGENT ATTEMPT HAS BEEN MADE TO OBSERVE ANY APPARENT, VISIBLE USES OF THE LAND; HOWEVER, THIS DOES NOT CONSTITUTE A GUARANTEE THAT ADDITIONAL EASEMENTS DO NOT EXIST.
- AN ON GROUND SURVEY AND/OR EVALUATION HAS DETERMINED THAT THE SUBJECT PARCEL IS LOCATED WITHIN OR ADJACENT TO THE FOLLOWING MAPPED OR UNMAPPED RESOURCE AREAS:
A) ON OR WITHIN: COASTAL DUNES (310 CMR 10.28)
B) ON OR WITHIN: BARRIER BEACH (310 CMR 10.29)
C) ADJACENT TO: SALT MARSHES (310 CMR 10.32)
D) ADJACENT TO: ESTIMATED HABITATS OF RARE WILDLIFE (310 CMR 10.37)
E) ON OR WITHIN: LAND SUBJECT TO COASTAL STORM FLOWAGE**

**SPECIAL FLOOD HAZARD ZONE AE (ELEV. 9) AS SHOWN ON FEMA MAP 25009C0127F, DATED JULY 3, 2012.
- THE CERTIFICATIONS SHOWN HEREON ARE NOT INTENDED AS CERTIFICATION TO TITLE OR OWNERSHIP OF PROPERTY SHOWN. OWNERS OF ADJOINING PROPERTIES ARE ACCORDING TO CURRENT TOWN ASSESSOR RECORDS.
- ALL WORK SHALL COMPLY WITH THE COMMONWEALTH OF MASSACHUSETTS DEPARTMENT OF ENVIRONMENTAL PROTECTION REGULATIONS AND ALL LOCAL REGULATIONS.
- PROPOSED CONSTRUCTION ACTIVITIES ARE LOCATED WITHIN AN AREA SUBJECT TO THE WETLANDS PROTECTION ACT. IT IS STRONGLY RECOMMENDED BY THE DESIGN ENGINEER THAT NO DEMOLITION OR BUILDING PERMITS BE ISSUED PRIOR TO THE REVIEW AND APPROVAL OF ALL APPROPRIATE ENVIRONMENTAL PERMITTING AUTHORITIES.
- ANY AND ALL CONSTRUCTION OR DEMOLITION DEBRIS RESULTING FROM APPROVED CONSTRUCTION ACTIVITIES SHALL BE REMOVED AND PROPERLY DISPOSED OF IN ACCORDANCE WITH ALL FEDERAL, STATE, AND LOCAL REQUIREMENTS.
- ANY EROSION CONTROL OR CONSTRUCTION CONTROL MEASURES APPROVED, IF REQUIRED, SHALL BE INSTALLED PRIOR TO THE START OF ANY DEMOLITION OR CONSTRUCTION ACTIVITIES. THE SITE'S GENERAL CONTRACTOR AND/OR LANDOWNER IS RESPONSIBLE FOR INSPECTING WEEKLY, OR MORE FREQUENTLY PER ORDER OF CONDITIONS, AND FOR MAINTAINING OR REPLACING ANY DAMAGED SECTIONS IMMEDIATELY. COMPLETE REMOVAL IS ONLY AUTHORIZED AFTER THE FOLLOWING: A) UPON COMPLETION OF ALL APPROVED CONSTRUCTION ACTIVITIES; B) COMPLETE SITE STABILIZATION; C) AUTHORIZATION OF THE SALISBURY CONSERVATION COMMISSION OR ITS AUTHORIZED AGENT.
- LATTICE WORK BELOW STRUCTURE IS NOT PROPOSED AS PART OF THIS PROJECT AND SHALL NOT BE INSTALLED WITHOUT FIRST OBTAINING PERMISSION FROM BOTH THE CONSERVATION COMMISSION AND THE BUILDING INSPECTOR.
- SUPPORT POSTS AND/OR PILES SHOWN ARE APPROXIMATE. ACTUAL DESIGN INCLUDING MATERIAL, LOCATION, AND QUANTITY SHALL BE DETERMINED BY A STRUCTURAL ENGINEER OR OTHER QUALIFIED PROFESSIONAL.



CONTRACTOR TO USE CAUTION WHEN EXCAVATING AS THIS PROPERTY IS SERVICED BY UNDERGROUND UTILITIES. LOCATIONS SHOWN HEREON COME DIRECTLY FROM UTILITY COMPANY PLANS AND, WHERE POSSIBLE, FROM MEASUREMENTS TAKEN IN THE FIELD. CONTRACTOR RESPONSIBLE FOR CONTACTING DIGSAFE AT LEAST 72 HOURS PRIOR TO EXCAVATION AND SHALL MAINTAIN ALL DIGSAFE MARKINGS DURING CONSTRUCTION.



MEI MILLENNIUM ENGINEERING, INC.
ENGINEERING AND LAND SURVEYING
62 ELM ST. SALISBURY, MA 01952 (978) 463-8980
13 HAMPTON RD., P.O. BOX 745 EXETER, NH 03833 (603) 778-0528

PLAN TO ACCOMPANY A NOTICE OF INTENT
IN
SALISBURY, MA

PREPARED FOR

BERGLUND HOMES
10 MORRISON ROD
BURLINGTON, MA. 01803
PHONE: (978) 580-1606
EMAIL: Bergent@Comcast.net

SHOWING

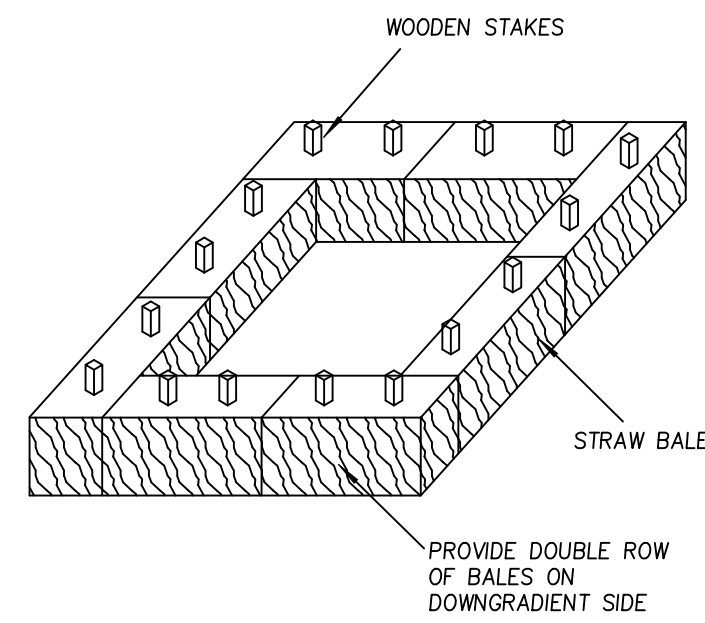
PROPOSED SITE IMPROVEMENTS
77 & 79 NORTH END BOULEVARD (PROP. BUILDERS LOT 2)
(MAP 33, LOTS 29 & 30)

SCALE: AS NOTED	CALC. BY: M.A.S.	PROJECT: M234260
DATE: DEC. 7, 2023	CHKD. BY: E.W.B.	SHEET: 2 OF 3

NO.	DATE	DESCRIPTION	BY

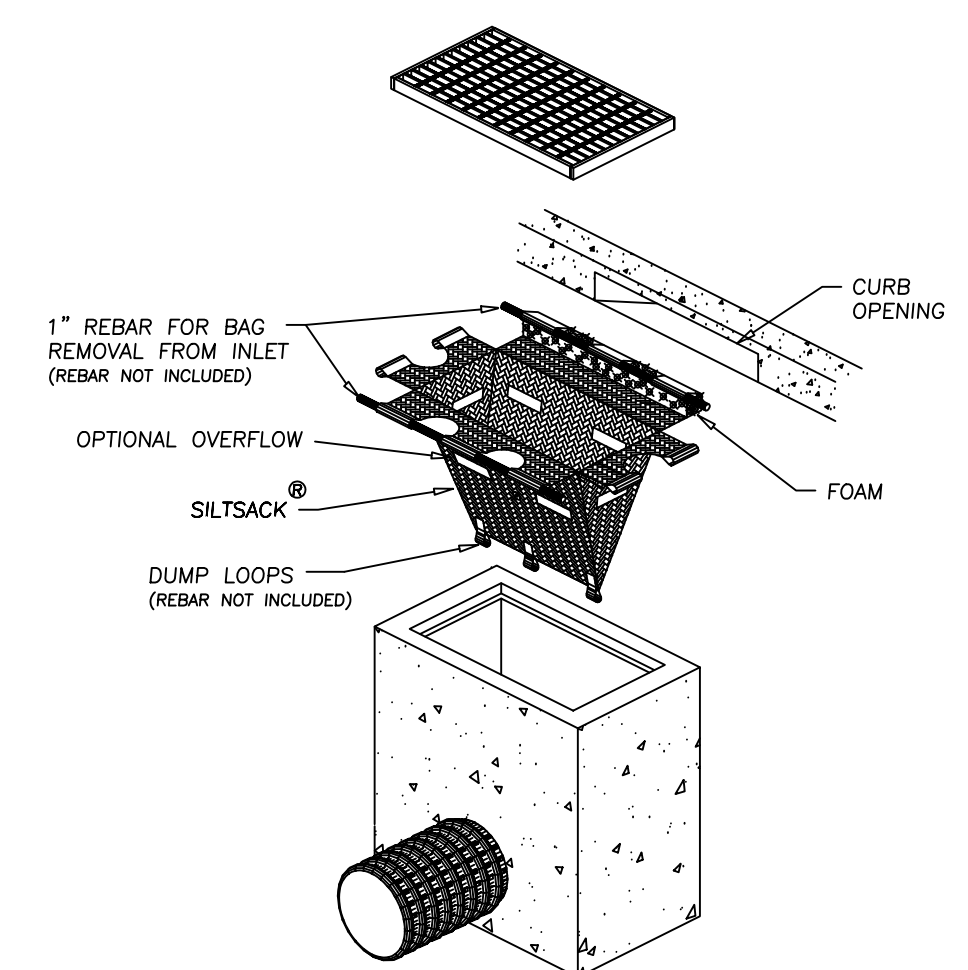


ARCHITECTURAL PROFILE SIDE VIEW
 PROVIDED BY: SAVOIE NOLAN ARCHITECTS, L.L.C. - PHONE: (978) 356 - 7786
 SCALE: N.T.S.

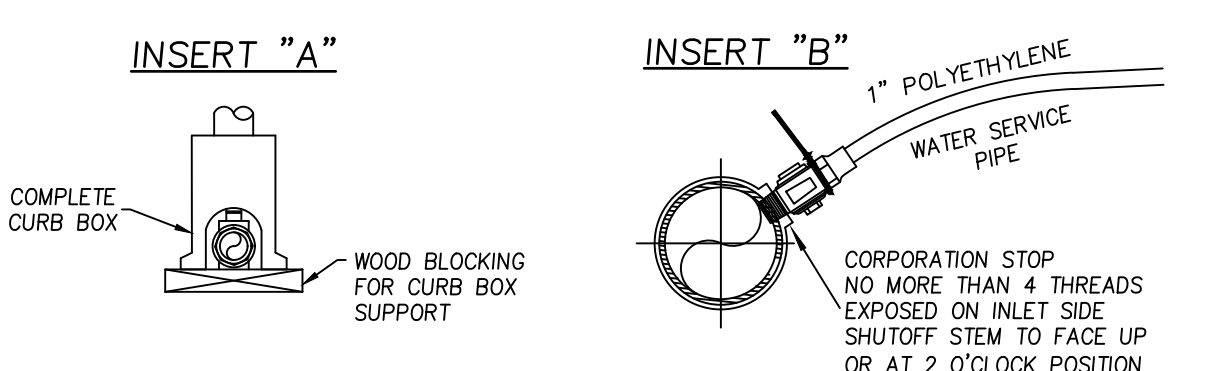
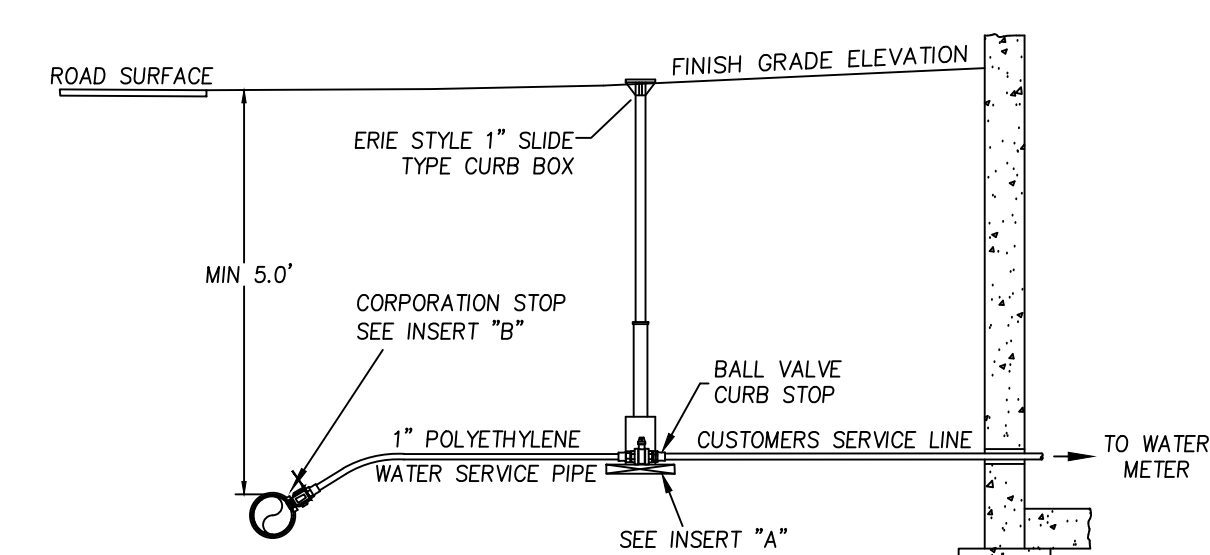


NOTES:
 1) DURING THE ACTIVE DEWATERING PROCESS, THE STRUCTURE SHALL BE INSPECTED FREQUENTLY (E.G. ONCE PER HOUR).
 2) SEDIMENT BUILDUP SHOULD BE REMOVED PERIODICALLY TO ENSURE THAT THE STRUCTURE'S ABILITY TO EFFECTIVELY FILTER SEDIMENT IS MAINTAINED.

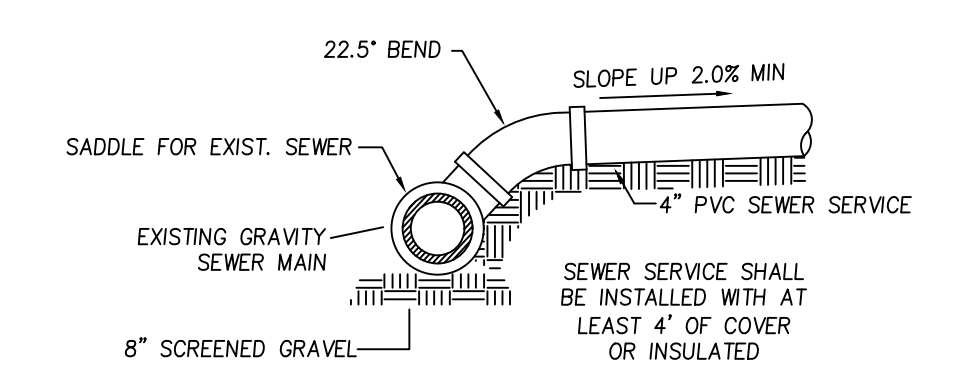
HAY BALE DEWATERING DETAIL
 SCALE: N.T.S.



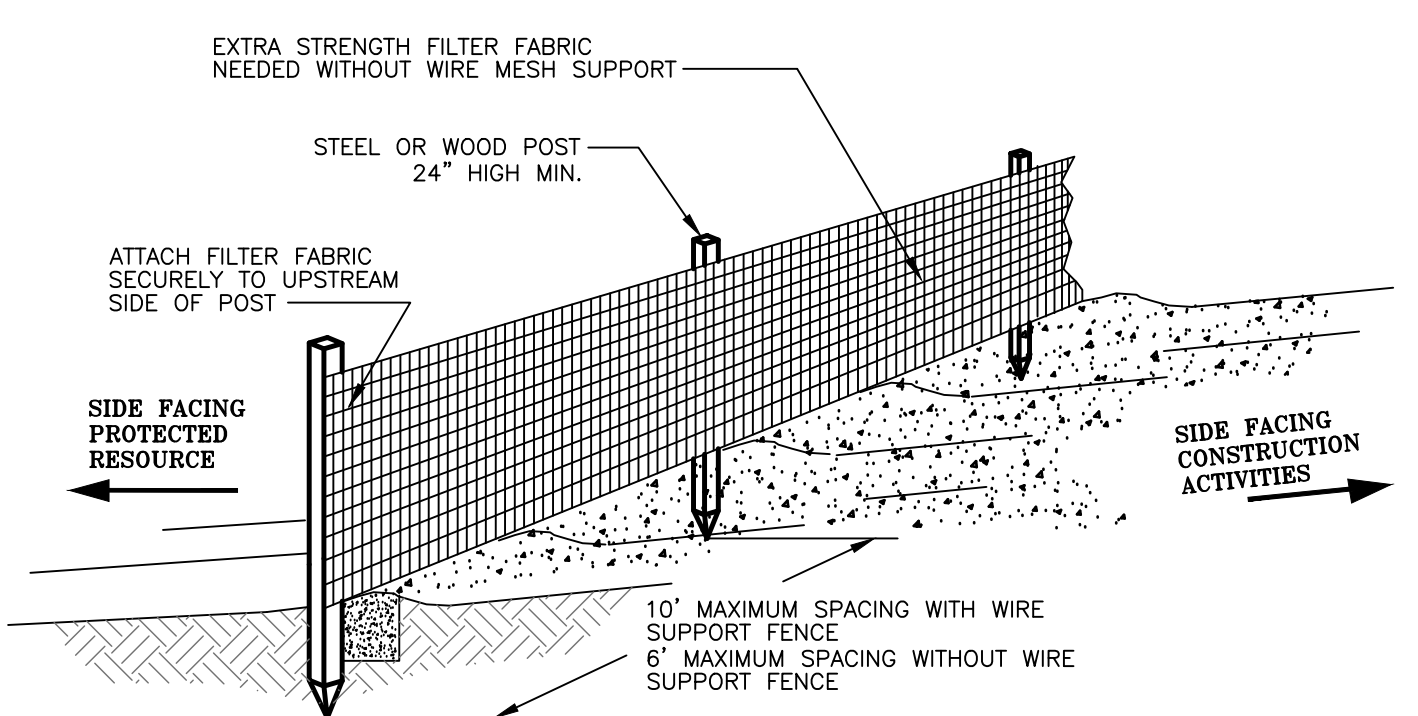
CATCH BASIN SILT SACK DETAIL, IF NEEDED
 SCALE: N.T.S.



TYPICAL POLYETHYLENE WATER SERVICE CONNECTION DETAIL
 SCALE: N.T.S.

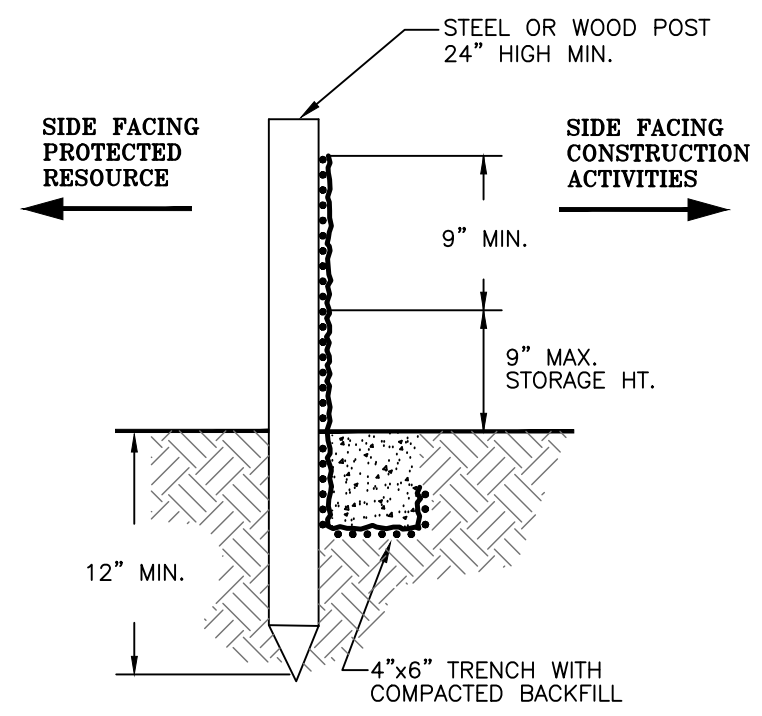


SEWER SERVICE CONNECTION DETAIL
 SCALE: N.T.S.

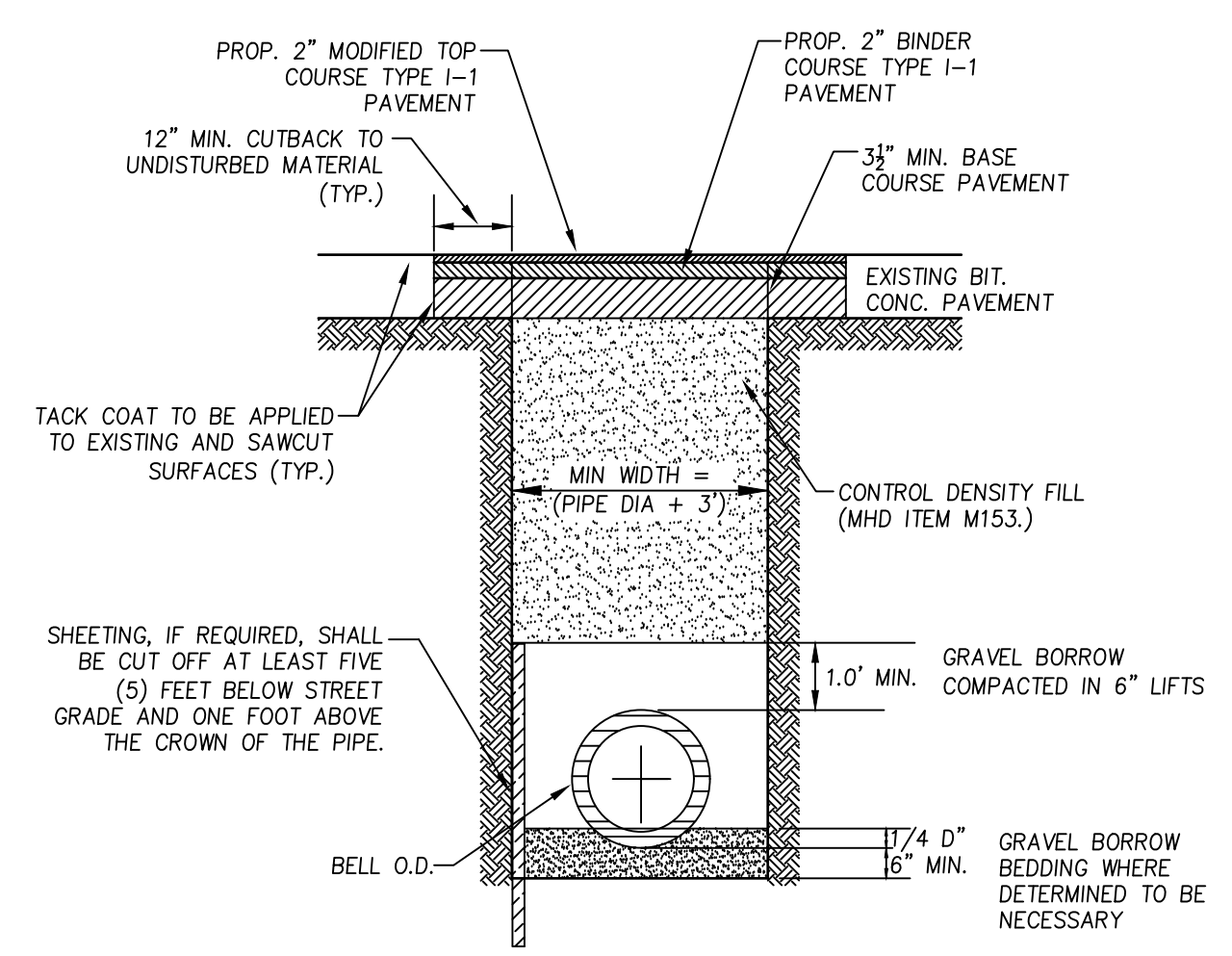


NOTES:
 1) POSTS SHALL BE DOUBLED AND COUPLED AT FILTER CLOTH SEAMS.
 2) FILTER CLOTH TO BE FASTENED SECURELY TO SUPPORT NETTING WITH TIES SPACED EVERY 24 INCHES AT TOP, MID SECTION, AND BOTTOM.
 3) WHEN TWO SECTIONS OF FILTER CLOTH ADJOIN EACH OTHER, THEY SHALL BE OVERLAPPED BY 6 INCHES, FOLDED AND STAPLED.
 4) MAINTENANCE SHALL BE PERFORMED AS NEEDED AND SEDIMENT SHALL BE REMOVED BEFORE IT REACHES A DEPTH OF 6 INCHES. ANY ACCUMULATION OF SEDIMENT REMOVED SHALL BE TAKEN OFF-SITE AND DISPOSED OF IN ACCORDANCE WITH ALL FEDERAL, STATE, AND LOCAL REQUIREMENTS.

ENTRENCHED SILT FENCE INSTALLATION DETAIL
 NOT TO SCALE



TRENCH DETAIL



PERMANENT TRENCH PATCH DETAIL
 SCALE: N.T.S.

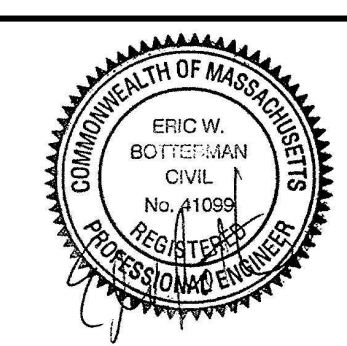
FROM NEW ENGLAND WETLAND PLANTS, INC. WEBSITE
 (https://newp.com/catalog/seed-mixes/#salt)
 The New England Coastal Salt Tolerant Seed Mix contains a selection of native grasses that tolerate salty conditions. This mix is appropriate for drier coastal areas that receive salt spray or mist. Always apply on clean bare soil. The mix may be applied by hydro-seeding, by mechanical spreader, or on small sites it can be spread by hand. Lightly rake, or roll to ensure proper seed to soil contact. Best results are obtained with a Spring seeding. Late Spring and early Summer seeding will benefit with a light mulching of weed free straw to conserve moisture. If conditions are drier than usual, watering may be required. Late Fall and Winter dormant seeding require an increase in the seeding rate. Fertilization is not required unless the soils are particularly infertile. Preparation of a clean weed free soil surface is necessary for optimal results.
 (SEED MIX MAY BE SUPPLEMENTED AND/OR SUBSTITUTED WITH PENNSYLVANIA SEDGE GRASS)

FROM MASSACHUSETTS OFFICE OF COASTAL ZONE MANAGEMENT WEBSITE
 (https://www.mass.gov/info-details/coastal-landscaping-in-massachusetts-shrubs-and-groundcovers)
 Northern bayberry (*Myrica pensylvanica*) is a woody shrub averaging 5 to 7 feet in height, with a thicket-forming character. The dark green leaves are aromatic and may stay on the branches for most of the winter. The flowers and white fruit (which are also aromatic) are somewhat inconspicuous, and the berries are a staple food for many species of wildlife. The native bayberry is adapted to a wide variety of soil conditions, but does best on light-textured soils, and spreads naturally into bare sandy soils. Since it does form thickets, bayberry is useful for erosion control and wildlife shelter.



FROM MASSACHUSETTS OFFICE OF COASTAL ZONE MANAGEMENT WEBSITE
 (https://www.mass.gov/info-details/coastal-landscaping-in-massachusetts-shrubs-and-groundcovers)
 Inkberry (*Ilex glabra*) is a long-living, evergreen shrub that typically grows from 6 to 12 feet high. It has dark green, leathery leaves; small, inconspicuous, greenish-white flowers that bloom March through June; and small, black-blue fruit that appears September through October and persists into the following spring (both male and female plants are necessary for cross pollination and berry production). Inkberry is shade tolerant and grows on a variety of soil types, including both dry and wet sites, and on sandy and heavier, peaty soils. Inkberry spreads by rhizomes and can form clusters and dense thickets. It is useful for shrub borders, foundation plantings, or as a low hedge, and because it also displays a high degree of salt tolerance, is useful in coastal gardens. Because of its ability to perform well in wet sites, it is also excellent for moist woodland gardens or riparian areas. Periodic pruning is recommended to lower the height and rejuvenate this shrub, due to its tendency to get leggy.

NO.	DATE	DESCRIPTION	BY



MEI MILLENNIUM ENGINEERING, INC.
 ENGINEERING AND LAND SURVEYING
 62 ELM ST. SALISBURY, MA 01952 (978) 463-8980
 13 HAMPTON RD., P.O. BOX 745 EXETER, NH 03833 (603) 778-0528

PLAN TO ACCOMPANY A NOTICE OF INTENT
 IN
SALISBURY, MA

PREPARED FOR
BERGLUND HOMES
 10 MORRISON ROD
 BURLINGTON, MA. 01803
 PHONE: (978) 580-1606
 EMAIL: Bergent@Comcast.net

SHOWING
CONSTRUCTION DETAILS
 77 & 79 NORTH END BOULEVARD (PROP. BUILDERS LOT 3)
 (MAP 33, LOTS 29 & 30)
 SCALE: AS NOTED
 DATE: DEC. 7, 2023
 CALC. BY: M.A.S.
 CHKD. BY: E.W.B.
 PROJECT: M234260
 SHEET: 3 OF 3